



SJ350x1300 JAW CRUSHER

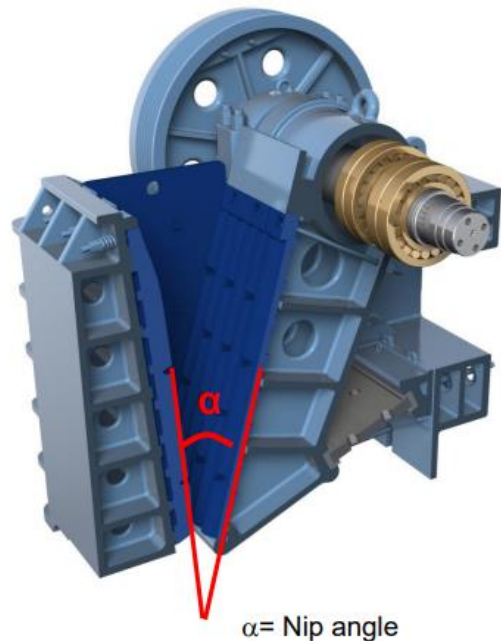
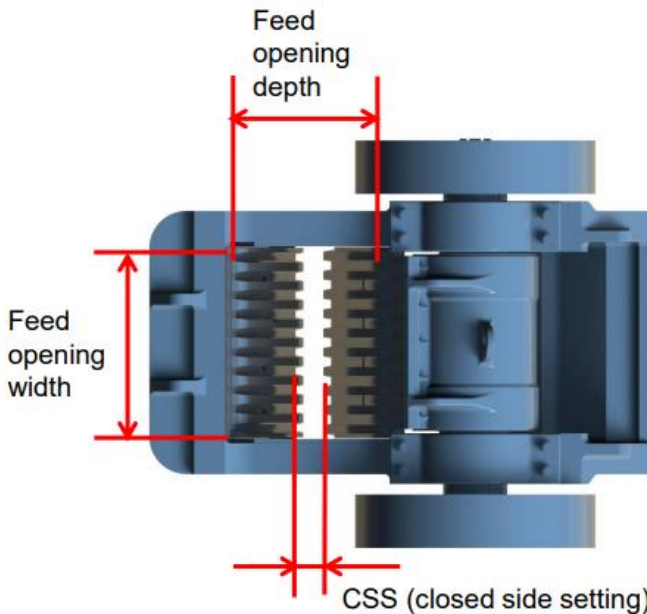


TECHINAL DETAILS

Model	SJ350x1300 Base Unit
Capacity	40-140tph
Feed opening (W x H)	1300 x 350mm
Max feed size	300mm
CSS	20-90
Installed power	75kW
Adjustment	Manual with shims
Max lifting weight	6020kg

DIMENSIONS

Width	2296mm
Length	1820mm
Height	1663mm
Weight	12200kgs approx.



α = Nip angle

NOTE: INFORMATION AND PHOTOGRAPHS ARE FOR BASE UNITS AND MAY NOT BE SPECIFIC TO UNITS OFFERED