



SRH SJ 1200 JAW CRUSHER

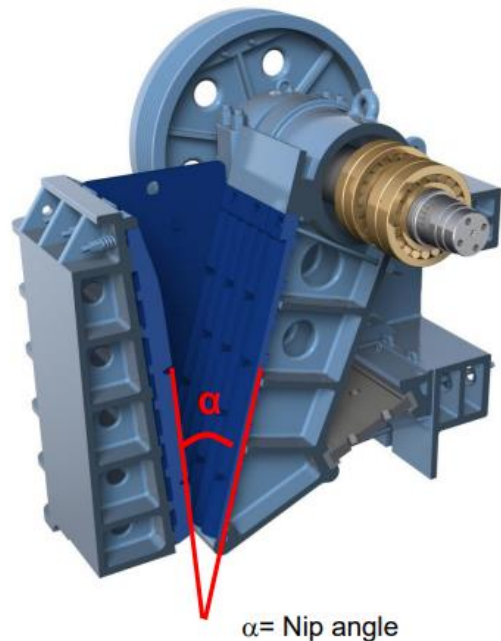
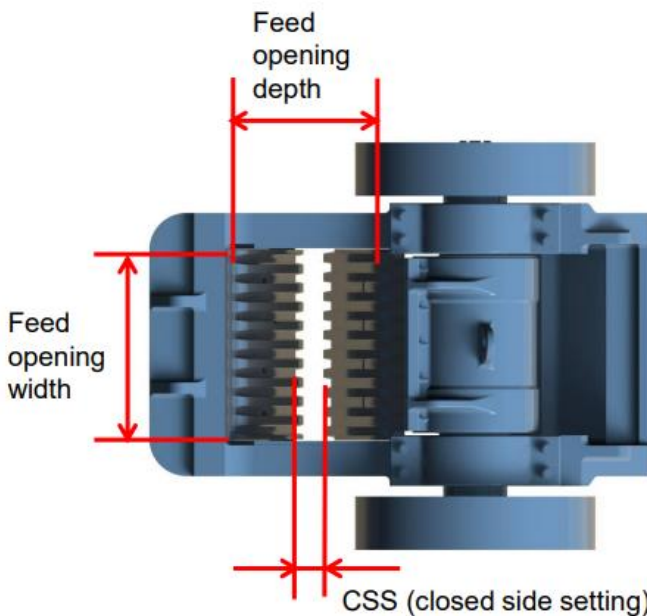


TECHINAL DETAILS

Model	SJ1200 Base Unit
Capacity	260-570tph
Feed opening (W x H)	1200 x 900mm
Max feed size	750mm
CSS	100-250
Installed power	132kW
Adjustment	Manual with shims
Max lifting weight	17000kg

DIMENSIONS

Width	2756mm
Length	3340mm
Height	3260mm
Weight	43000kgs approx.



NOTE: INFORMATION AND PHOTOGRAPHS ARE FOR BASE UNITS AND MAY NOT BE SPECIFIC TO UNITS OFFERED